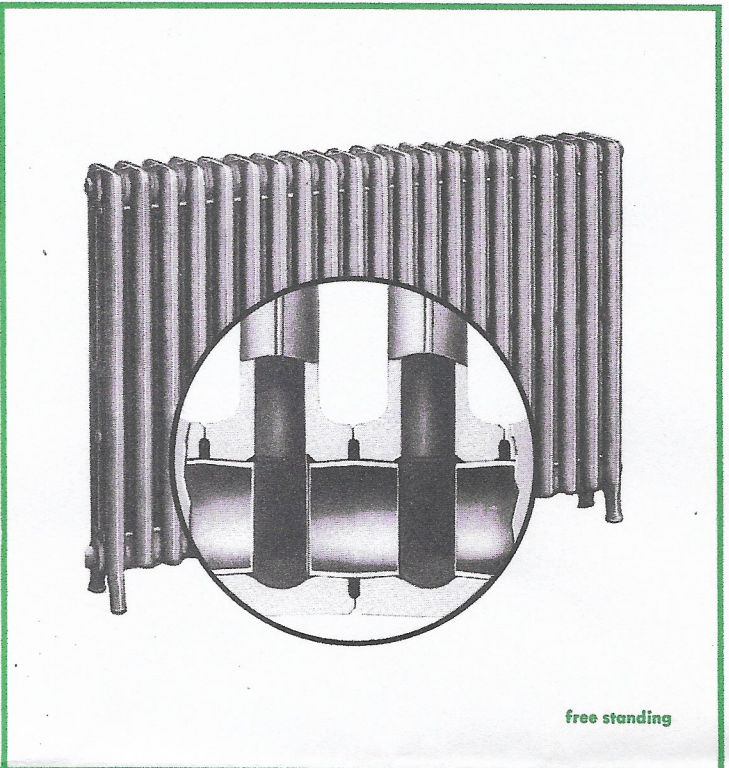
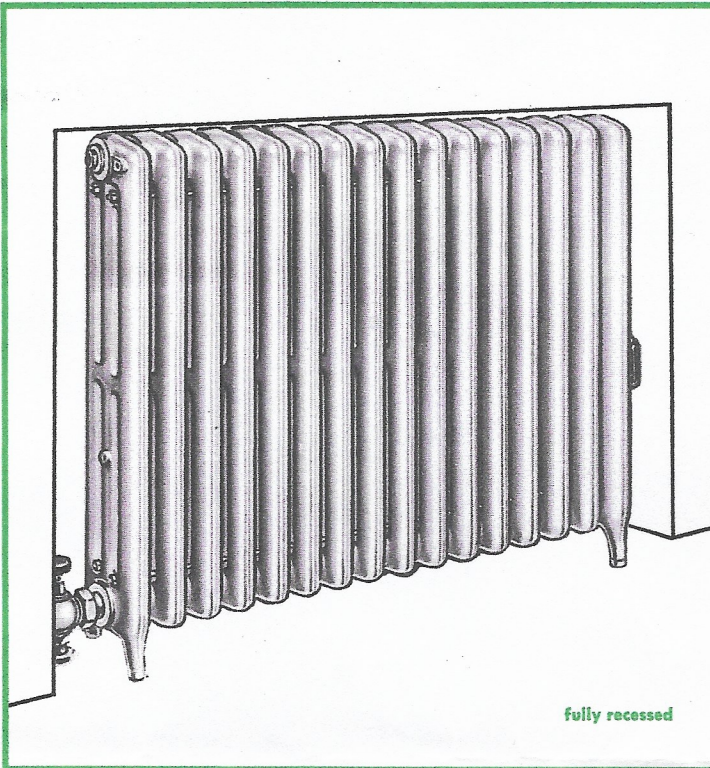


Arco cast iron radiators

AMERICAN-Standard
hot water and steam heat

▶ American-Standard Arco Radiators — cast iron construction



Arco radiators are the perfect choice for homes, office buildings, schools, hospitals, churches and any large structure where modern, dependable heating and long life are essential factors. The clean, straight lines never detract from their surroundings—fit into any formal setting.

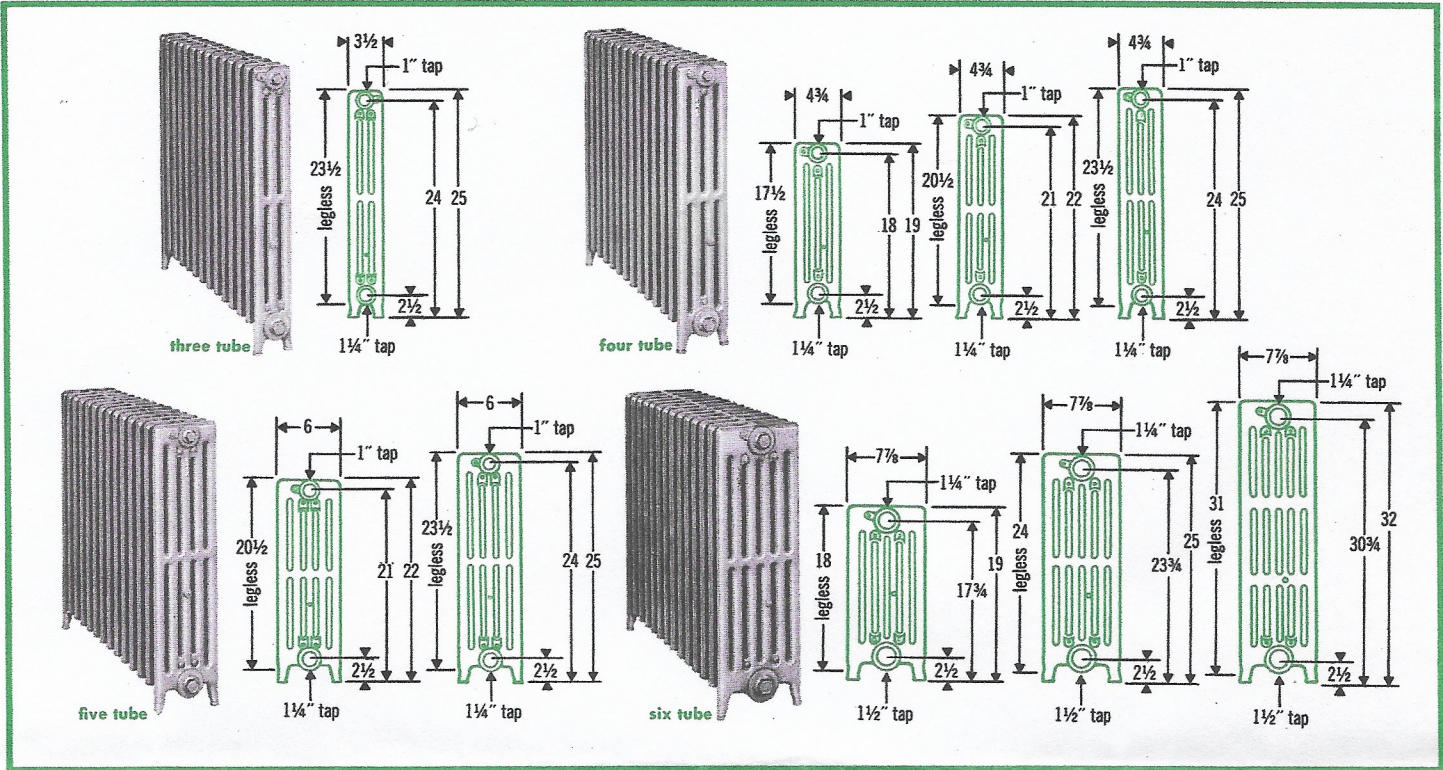
The scientifically designed and proportioned Arco is constructed of durable cast iron and assures real efficiency with hot water, steam or vapor systems. Liberal waterways eliminate frequent venting. Hydrostatic testing and factory-assembled push-nipple connections between sections assure lasting, leak-proof joints.

Arco radiators are easy to handle and economical to install. The average unit weighs approximately $4\frac{1}{2}$ lbs. per square foot compared with old type radiators that weigh up to $6\frac{1}{2}$ lbs. per square foot.

Arco radiators are available in sizes for every heating need—four widths and a wide range of convenient heights range from 19 inches to 32 inches. They are adaptable to any type installation—partially recessed or fully recessed as well as free standing or wall hung.

- Modern slim-tube radiators that require minimum space
- Durable cast iron construction ideal for radiator heating
- Adaptable to any type installation—free-standing, recessed or wall-hung
- Provides the unsurpassed comfort of radiant heat
- Stores up heat—provides gradual temperature changes
- Lightweight—easy to handle and install
- Available in even number of sections up to a maximum of 56 sections in lengths from $3\frac{1}{2}$ to 98 inches
- Factory-assembled, push nipple connections between sections assure lasting, leak-proof joints

► four widths and convenient heights from 19 to 32 inches

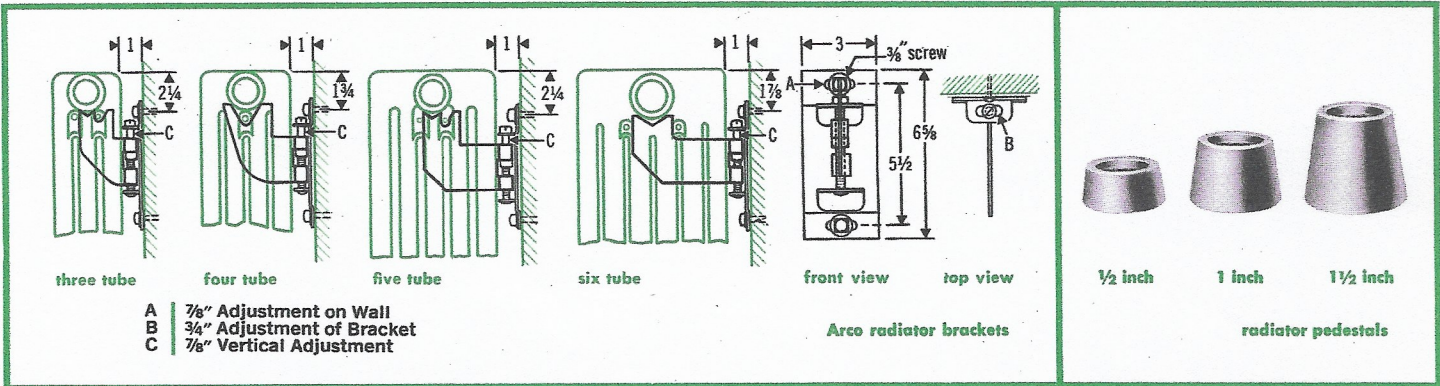


► accessories

■ Arco Radiator Brackets consist of one Bracket and one Wall Plate. For all radiators up to and including 28 sections, 2 Brackets are sufficient. From 30 to 56 sections, 3 Brackets are necessary, one in center and one close to each end. In no case should maximum spacing between brackets

be more than 42 inches. Each Bracket stamped with tube designation.

■ Pedestals to fit under legs of any Arco Radiator can be furnished in the following heights: 1/2, 1, and 1 1/2 inches.



heat emission—based on 240 Btu (steam), per square foot per hour

no of sections	length 1 1/4 inches per section	three-tube		four-tube		five-tube		six-tube		
		25-in height 1.8 sq ft per section	19-in height 1.6 sq ft per section	22-in height 1.8 sq ft per section	25-in height 2.0 sq ft per section	22-in height 2.1 sq ft per section	25-in height 2.4 sq ft per section	19-in height 2.3 sq ft per section	25-in height 3.0 sq ft per section	32-in height 3.7 sq ft per section
		.914 sq ft per lineal in	.914 sq ft per lineal in	1.029 sq ft per lineal in	1.143 sq ft per lineal in	1.20 sq ft per lineal in	1.371 sq ft per lineal in	1.314 sq ft per lineal in	1.714 sq ft per lineal in	2.114 sq ft per lineal in
2	3.5	3.2	3.2	3.6	4	4.2	4.8	4.6	6	7.4
4	7.0	6.4	6.4	7.2	8	8.4	9.6	9.2	12	14.8
6	10.5	9.6	9.6	10.8	12	12.6	14.4	13.8	18	22.2
8	14.0	12.8	12.8	14.4	16	16.8	19.2	18.4	24	29.6
10	17.5	16.0	16.0	18.0	20	21.0	24.0	23.0	30	37.0
12	21.0	19.2	19.2	21.6	24	25.2	28.8	27.6	36	44.4
14	24.5	22.4	22.4	25.2	28	29.4	33.6	32.2	42	51.8
16	28.0	25.6	25.6	28.8	32	33.6	38.4	36.8	48	59.2
18	31.5	28.8	28.8	32.4	36	37.8	43.2	41.4	54	66.6
20	35.0	32.0	32.0	36.0	40	42.0	48.0	46.0	60	74.0
22	38.5	35.2	35.2	39.6	44	46.2	52.8	50.6	66	81.4
24	42.0	38.4	38.4	43.2	48	50.4	57.6	55.2	72	88.8
26	45.5	41.6	41.6	46.8	52	54.6	62.4	59.8	78	96.2
28	49.0	44.8	44.8	50.4	56	58.8	67.2	64.4	84	103.6
30	52.5	48.0	48.0	54.0	60	63.0	72.0	69.0	90	111.0
32	56.0	51.2	51.2	57.6	64	67.2	76.8	73.6	96	118.4
34	59.5	54.4	54.4	61.2	68	71.4	81.6	78.2	102	125.8
36	63.0	57.6	57.6	64.8	72	75.6	86.4	82.8	108	133.2
38	66.5	60.8	60.8	68.4	76	79.8	91.2	87.4	114	140.6
40	70.0	64.0	64.0	72.0	80	84.0	96.0	92.0	120	148.0
42	73.5	67.2	67.2	75.6	84	88.2	100.8	96.6	126	155.4
44	77.0	70.4	70.4	79.2	88	92.4	105.6	101.2	132	162.8
46	80.5	73.6	73.6	82.8	92	96.6	110.4	105.8	138	170.2
48	84.0	76.8	76.8	86.4	96	100.8	115.2	110.4	144	177.6
50	87.5	80.0	80.0	90.0	100	105.0	120.0	115.0	150	185.0
52	91.0	83.2	83.2	93.6	104	109.2	124.8	119.6	156	192.4
54	94.5	86.4	86.4	97.2	108	113.4	129.6	124.2	162	199.8
56	98.0	89.6	89.6	100.8	112	117.6	134.4	128.8	168	207.2

Add 1/2" to length for each bushing.

CONNECTIONS—Both steam and water extra heavy 1" malleable nipples on 3, 4 and 5-tube, and 1 1/4" malleable nipples on 6-tube, at top and bottom.

Regularly furnished with 2 1/2" legs. Can be supplied on special order with 4 1/2" legs, or without legs. For height of loop section only, subtract 1 1/2" on 3, 4 and 5-tube, and 1" on 6-tube from total height as shown above.

These radiators conform with the industry's Simplified Practice Recommendation R174-47, Cast Iron Radiators, issued by the U. S. Department of Commerce.

End sections regularly supplied with 1" top tappings and 1 1/4" bottom tappings for 3, 4 and 5-tube, and with 1 1/4" top tappings, 1 1/2" bottom tappings, for 6-tube, bushed if so specified.

NOTE—Arco Radiators are sold only in even number of sections up to a maximum of 56 sections. For assemblies from 30 to 56 sections, one center leg section is furnished.

table of heat emissions for various average hot water temperatures

av. water temp. in radiator	220	215	210	200	190	180	170	160	150
heat emission Btu per sq ft	250	240	230	210	190	170	150	130	110

American-Standard Arco Cast Iron Radiators are another development in hydronics—the science of heating and cooling with water.

McDonald Heating & Air Conditioning Co.

2325 EAST STREET

PITTSBURGH 14, PA.

FAirfax 2-2100



AMERICAN-Standard PLUMBING AND HEATING DIVISION

AMERICAN RADIATOR & STANDARD SANITARY CORPORATION

40 WEST 40TH STREET • NEW YORK 18, NEW YORK